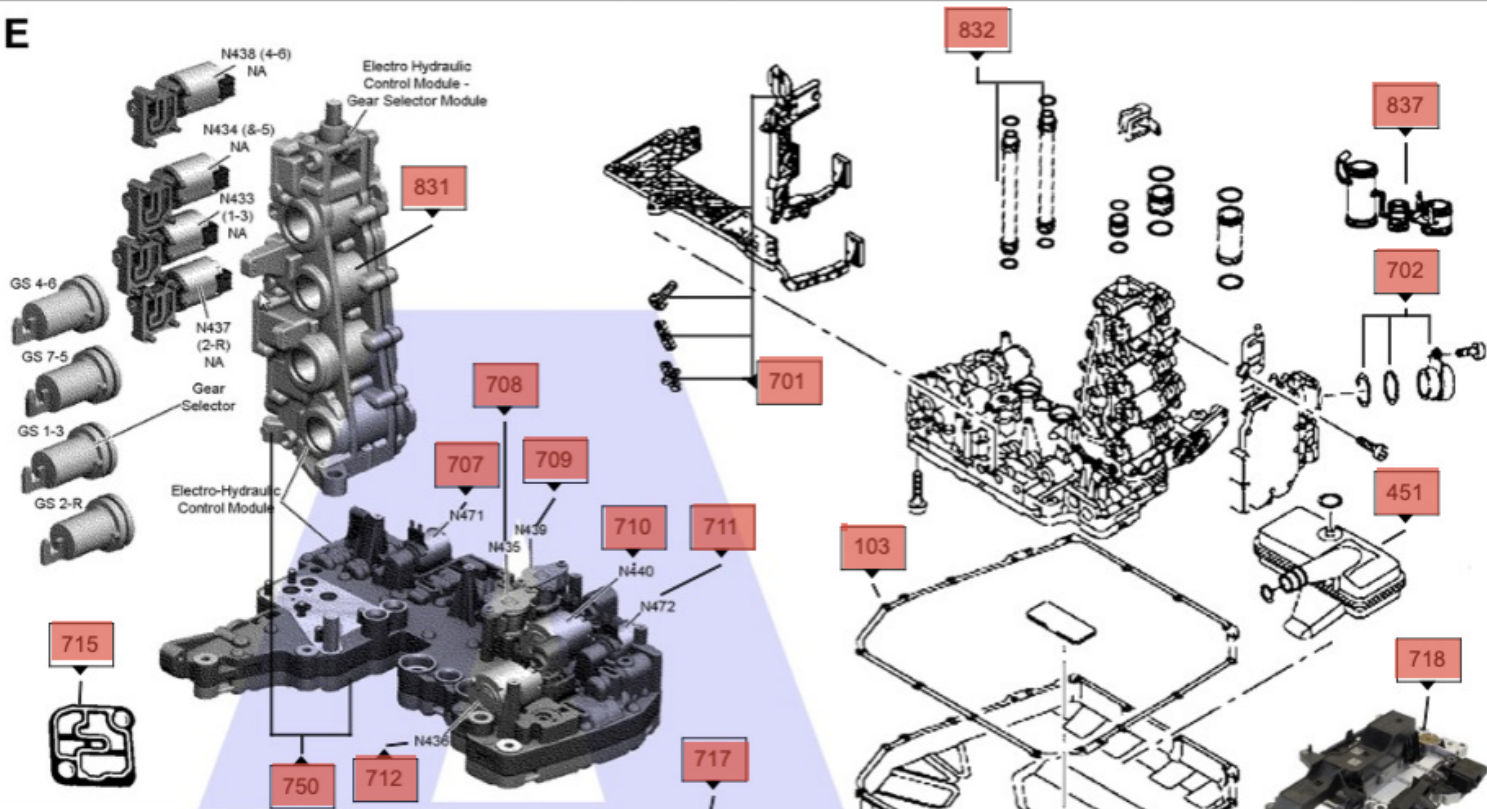
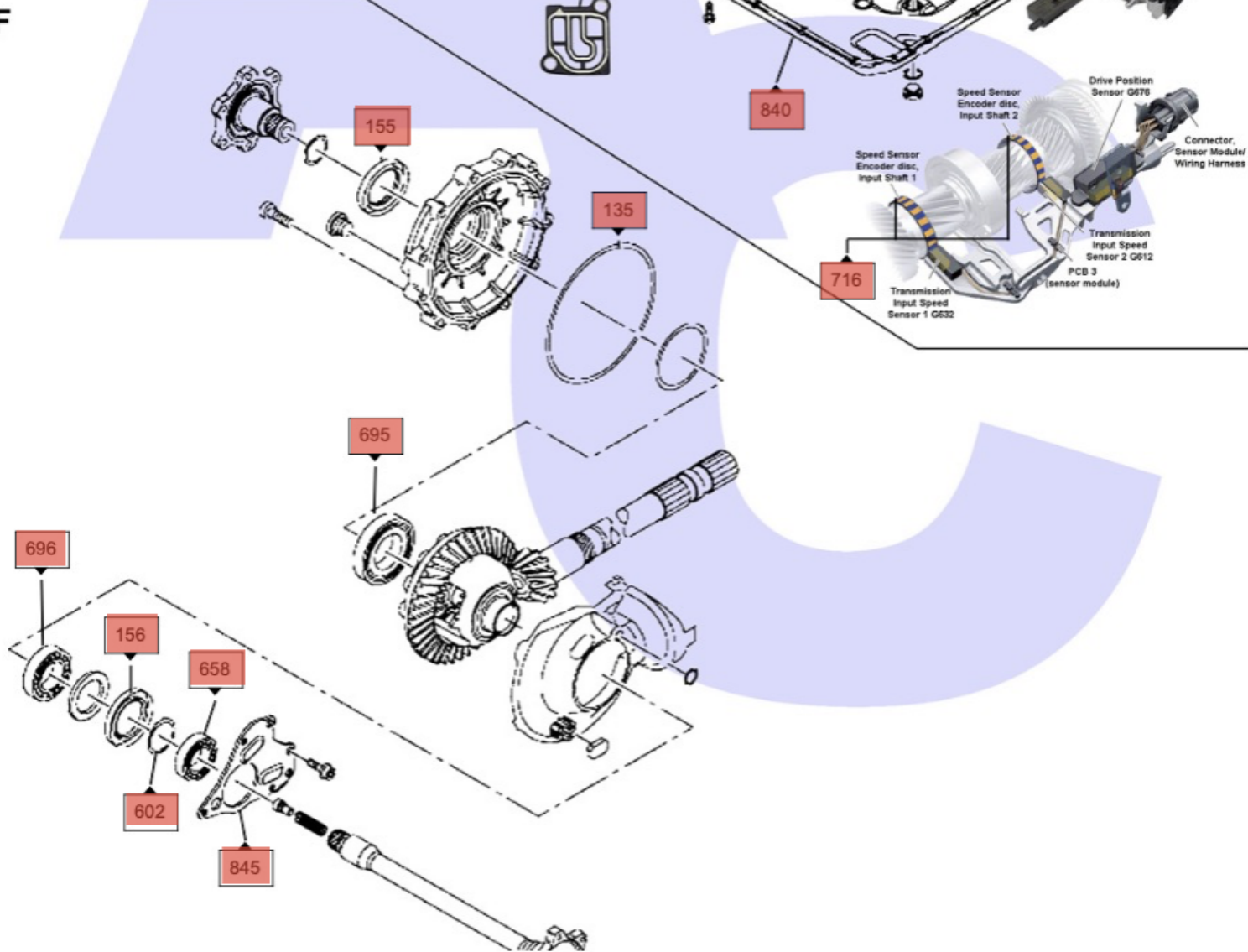




E



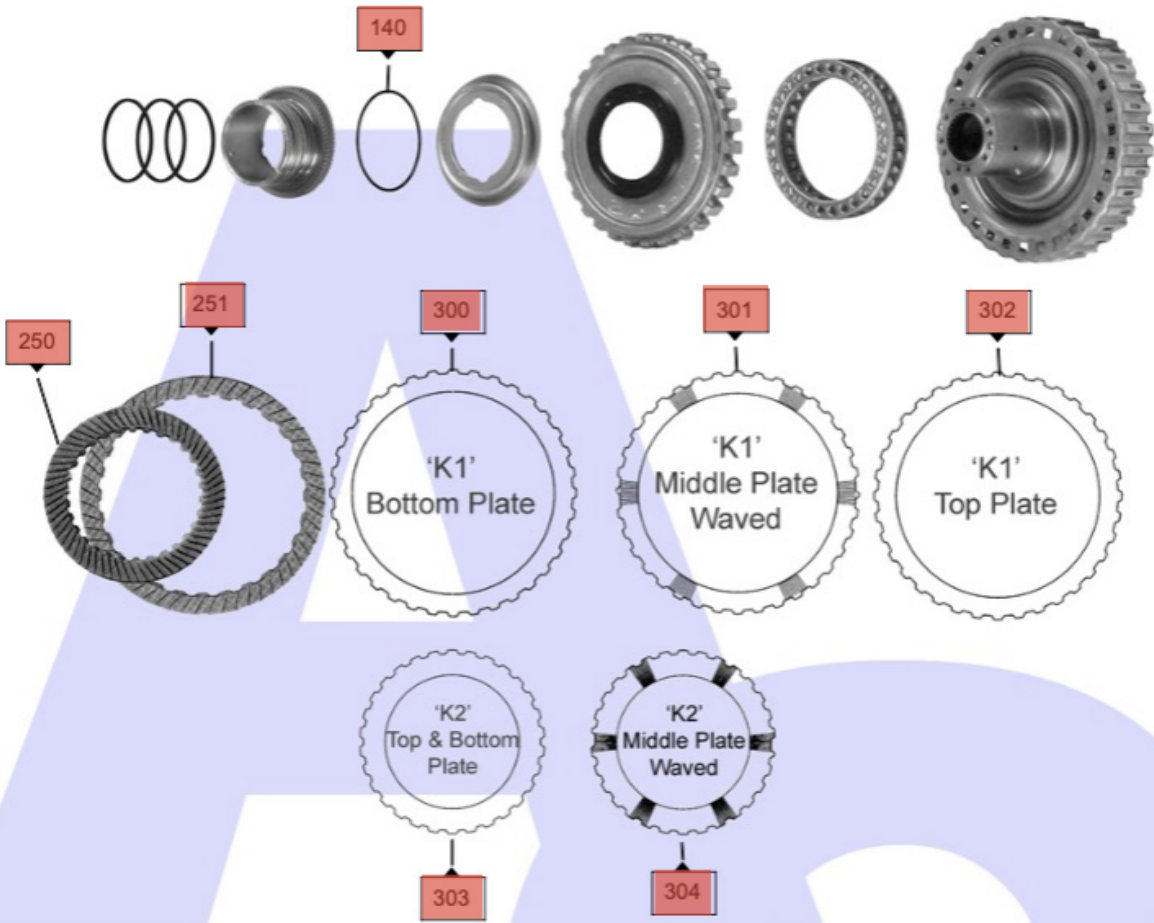
F



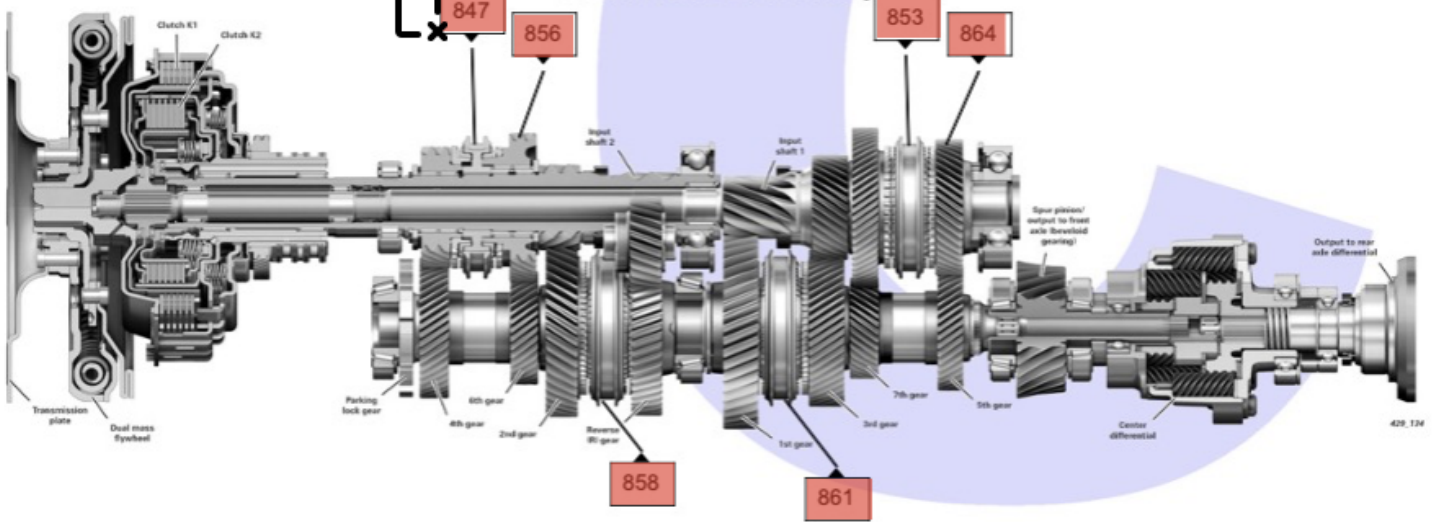


Front Differential

G



Double Clutch Assembly



Gearset Layout