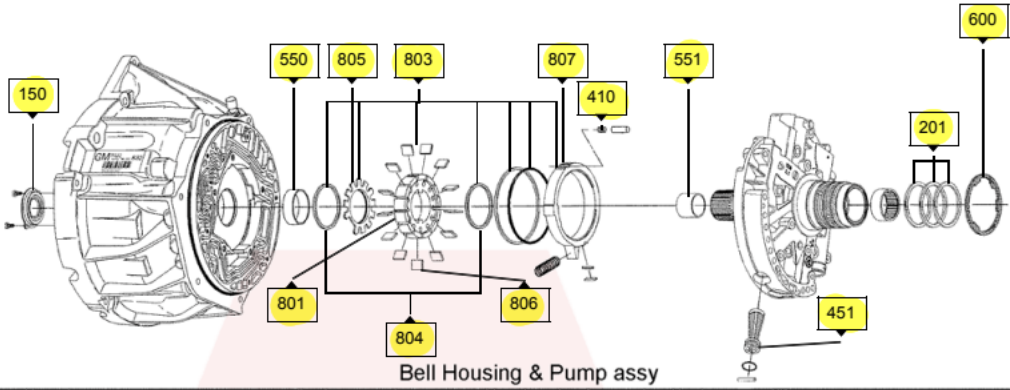
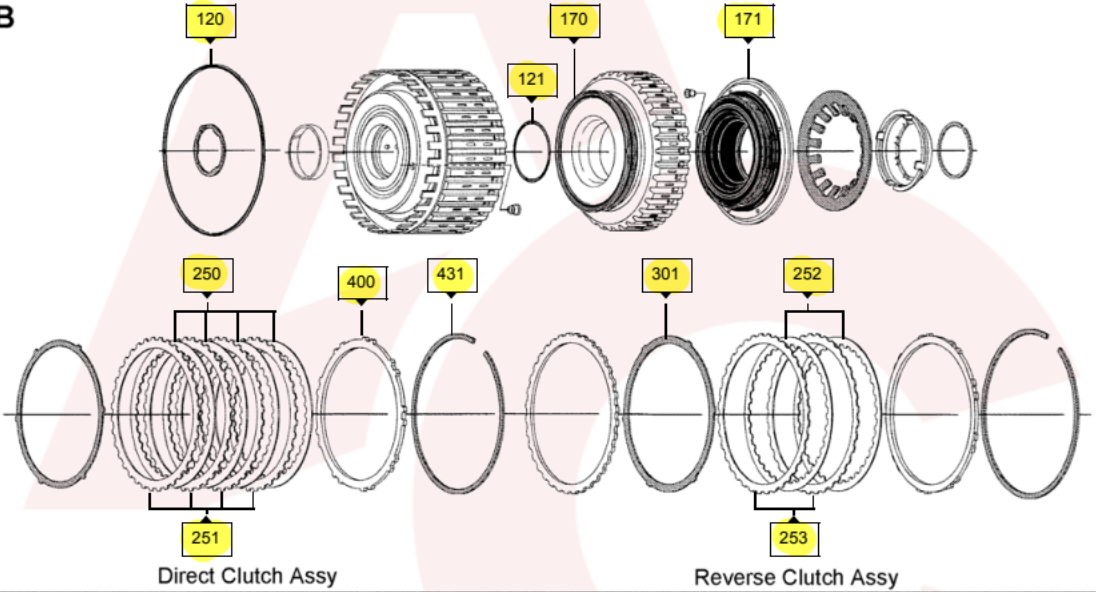


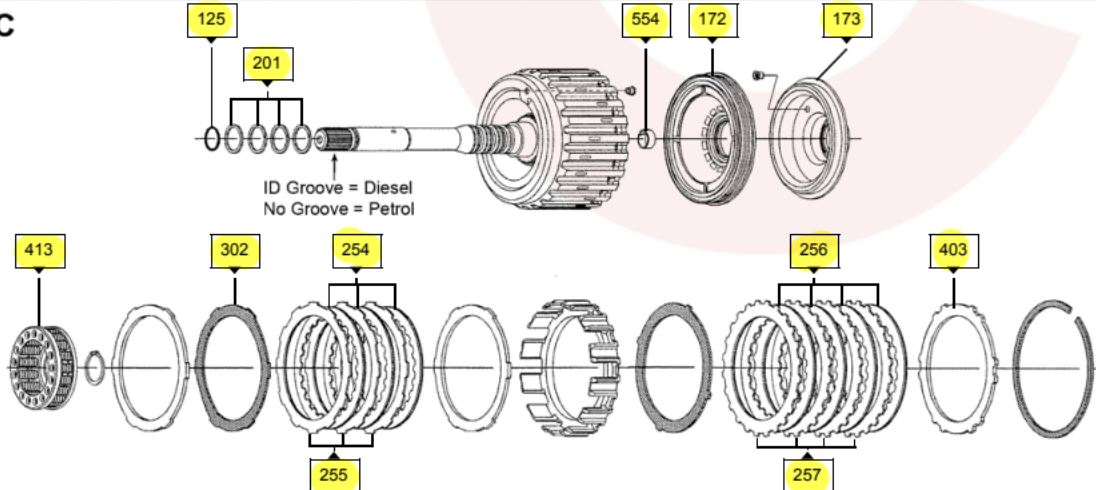
A



B



C

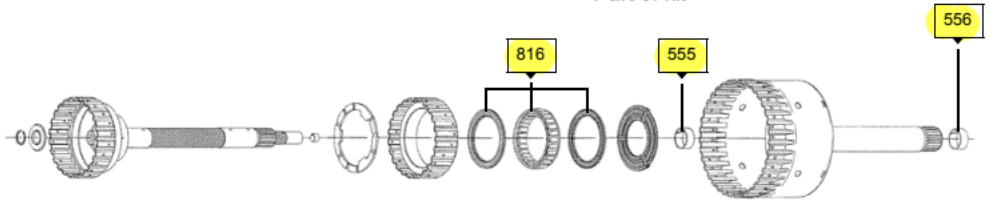


Coast Clutch Assy

Forward Clutch Assy

D

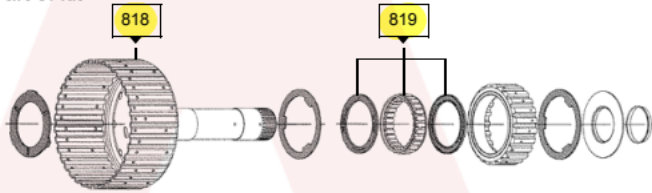
* Part of kit



Forward Sprag, Direct Drum & Shaft Assy

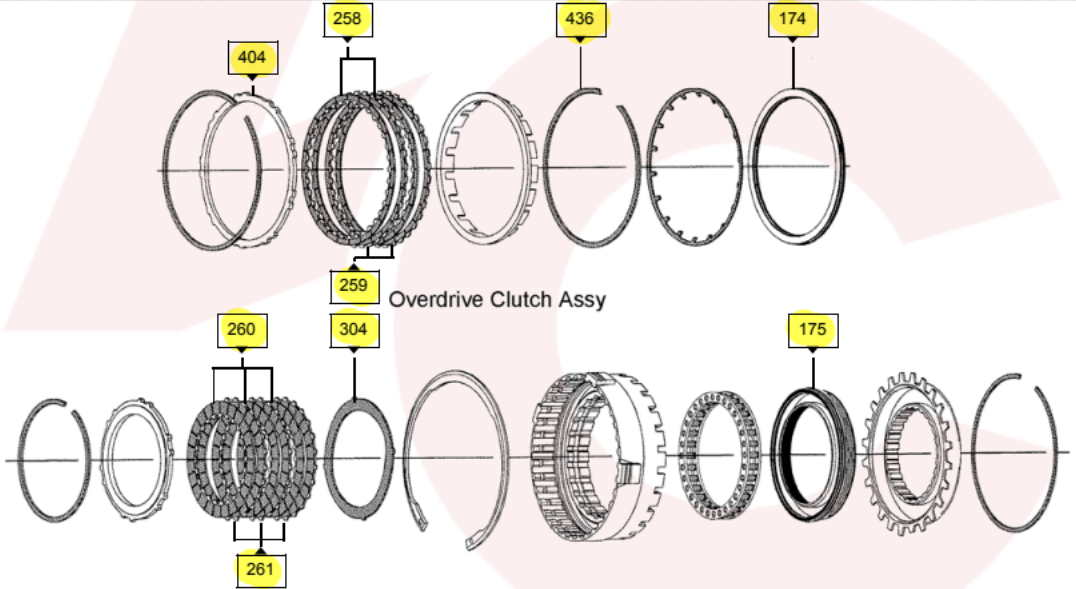
E

* Part of kit



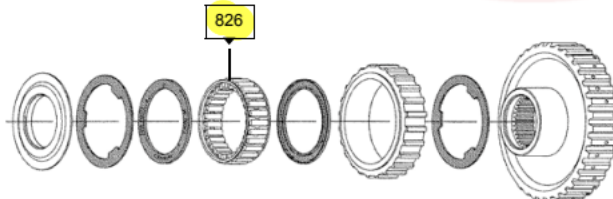
Overdrive Clutch Hub & Intermediate Sprag Assy

F

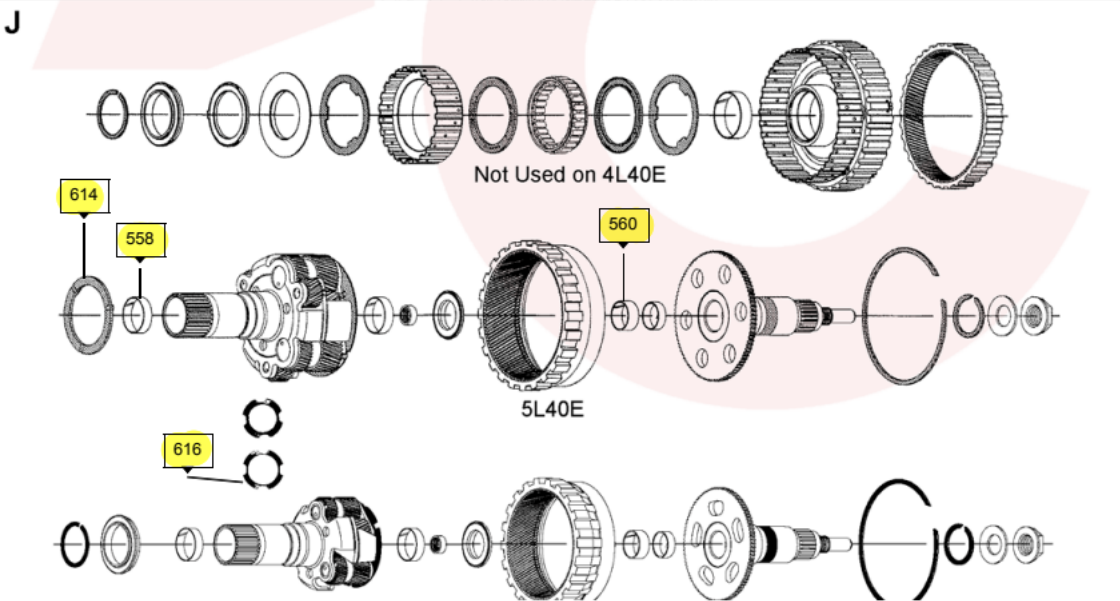
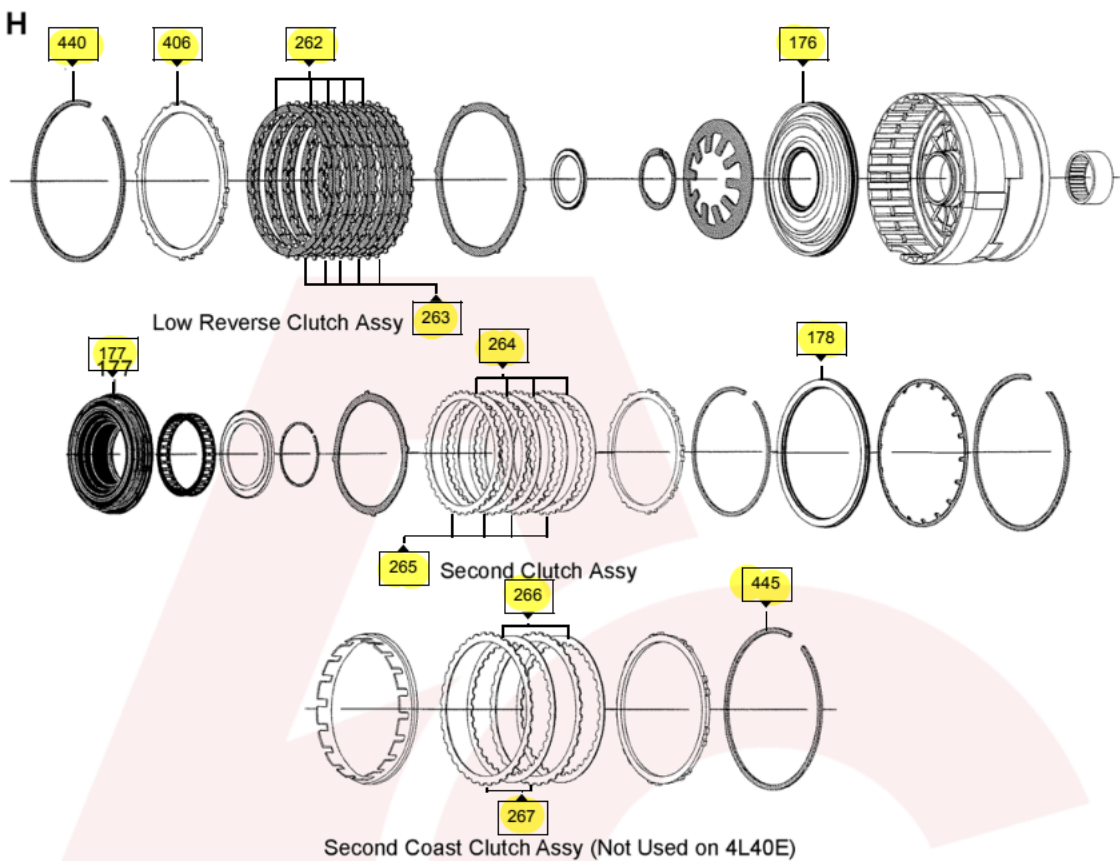


Intermediate Clutch Assy

G



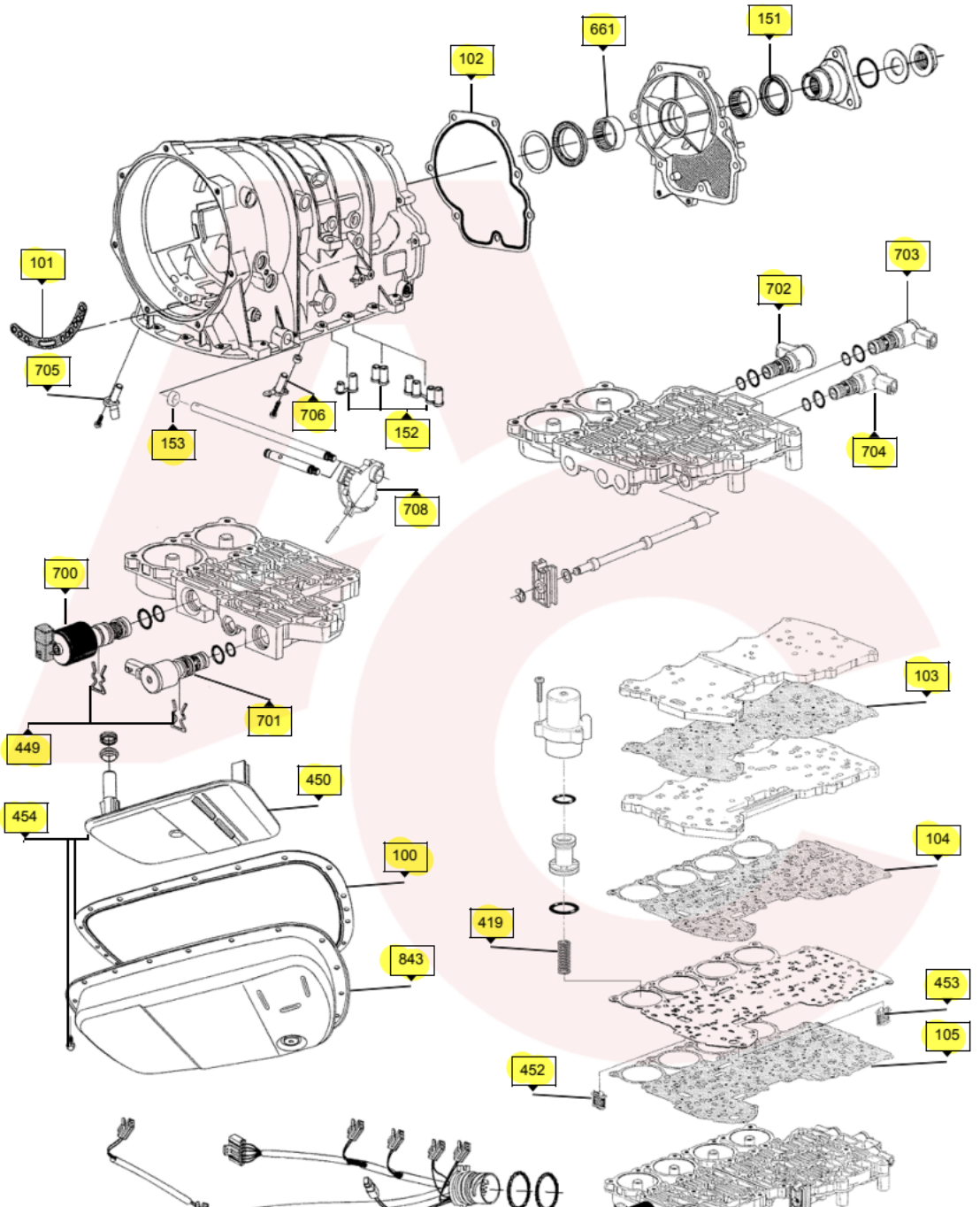
Low Sprag Assy



4L40E

Second Sprag & Planetary Assy

K





Casing, Valve Body & Electrical Components