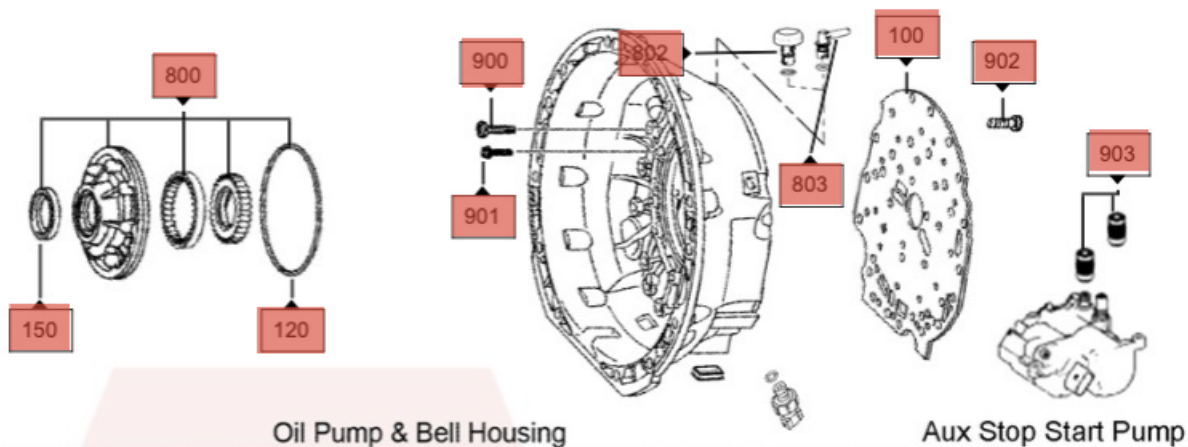


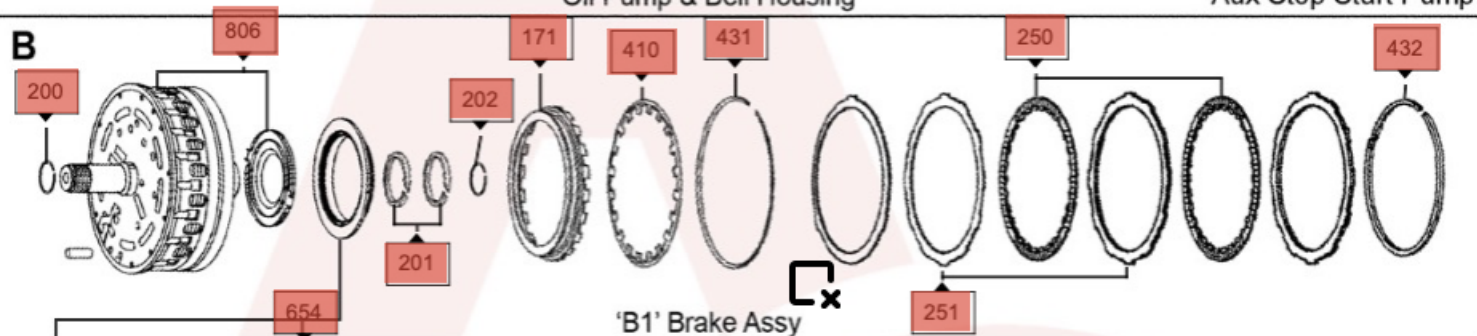
A



Oil Pump & Bell Housing

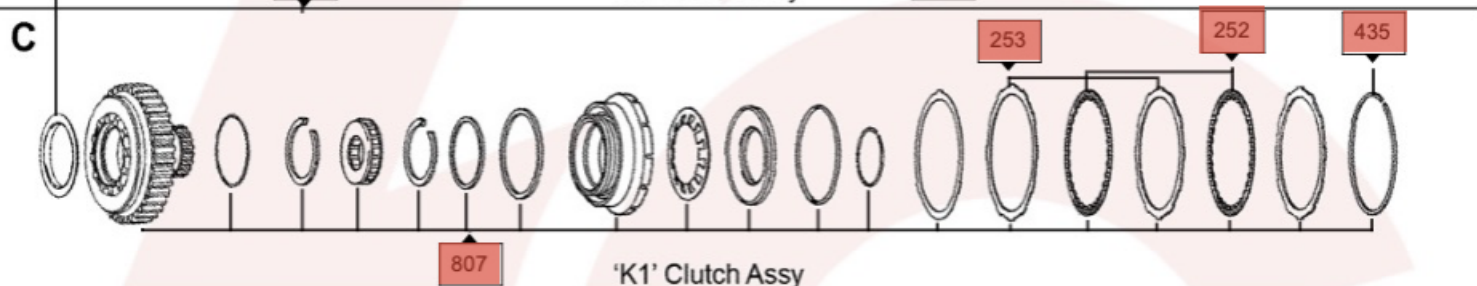
Aux Stop Start Pump

B



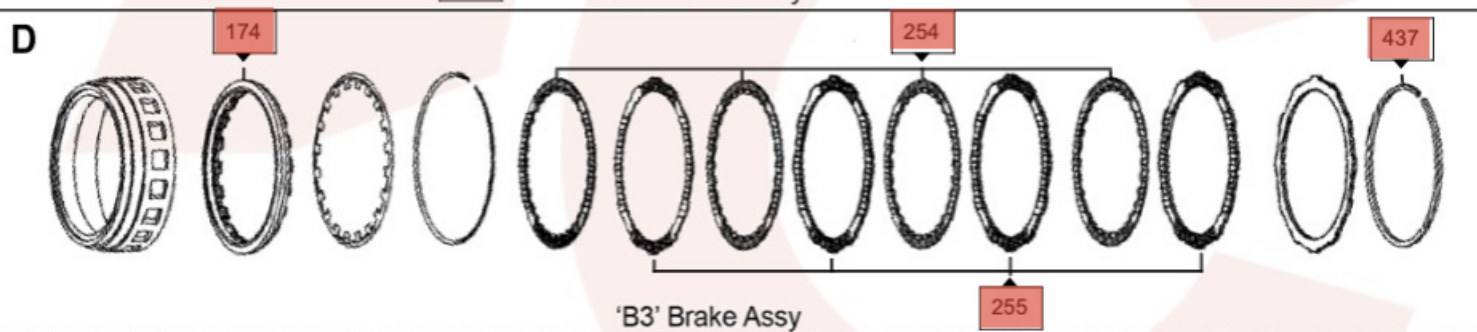
'B1' Brake Assy

C



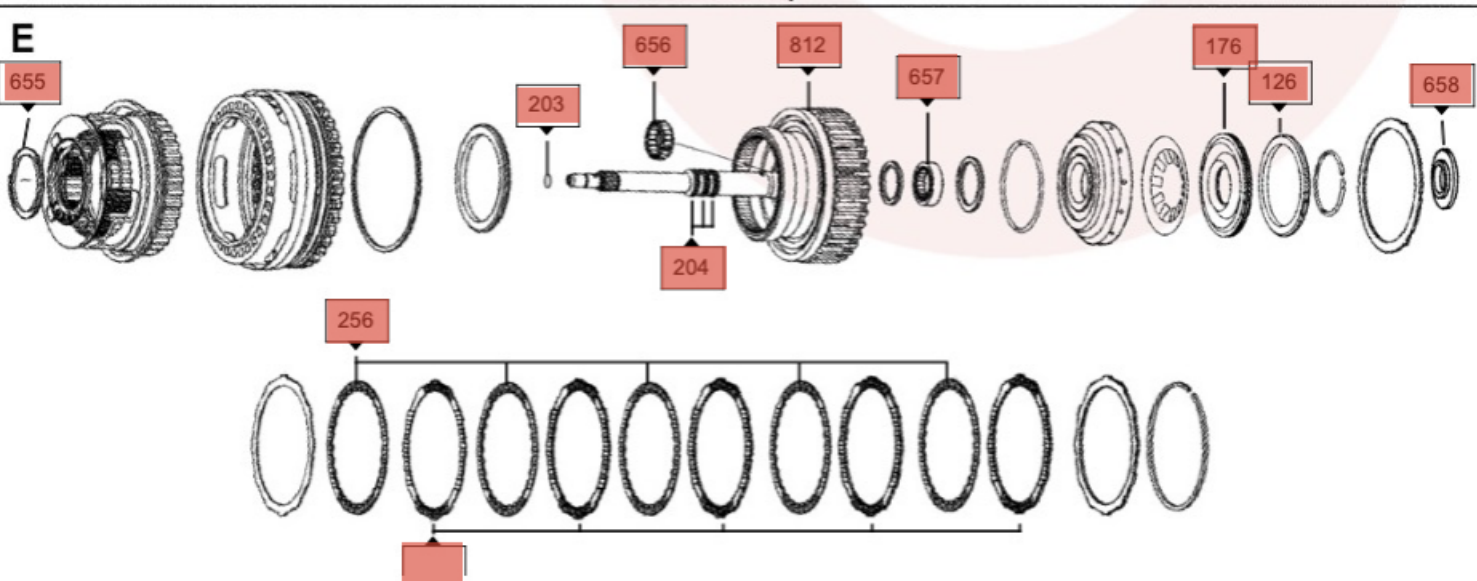
'K1' Clutch Assy

D



'B3' Brake Assy

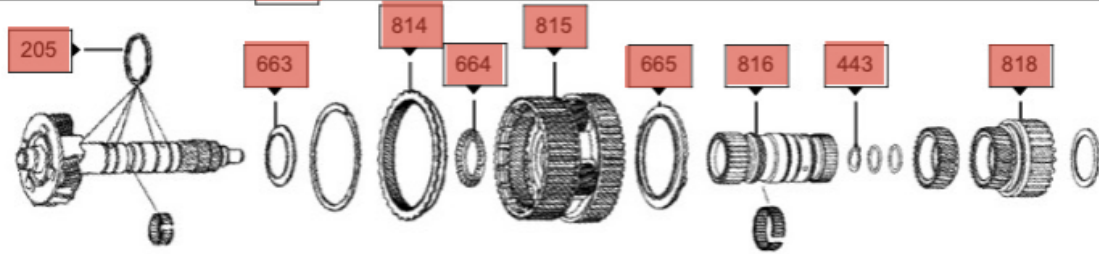
E



257

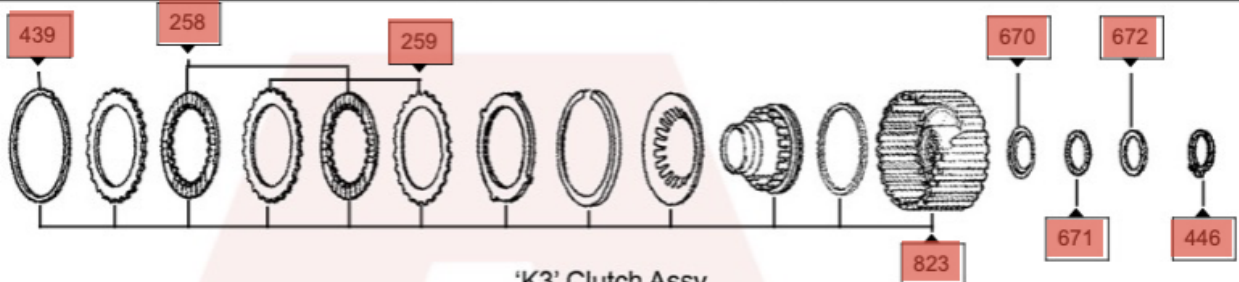
Front Planetary & 'K2' Clutch Assy

F



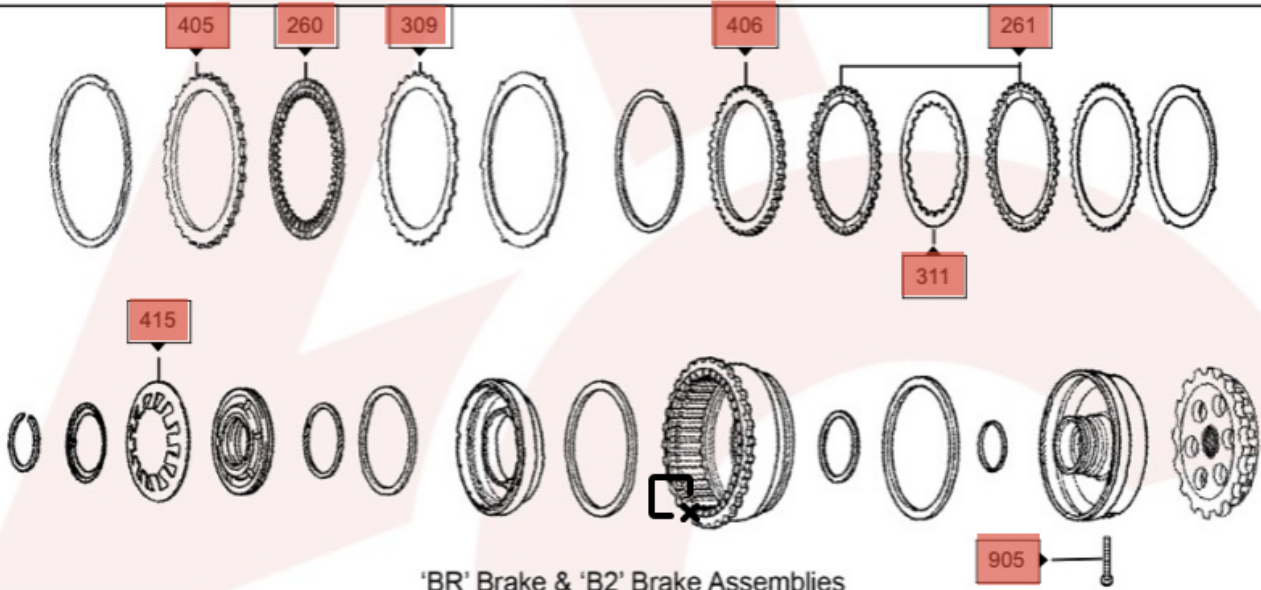
Middle & Rear Planetary Assy

G



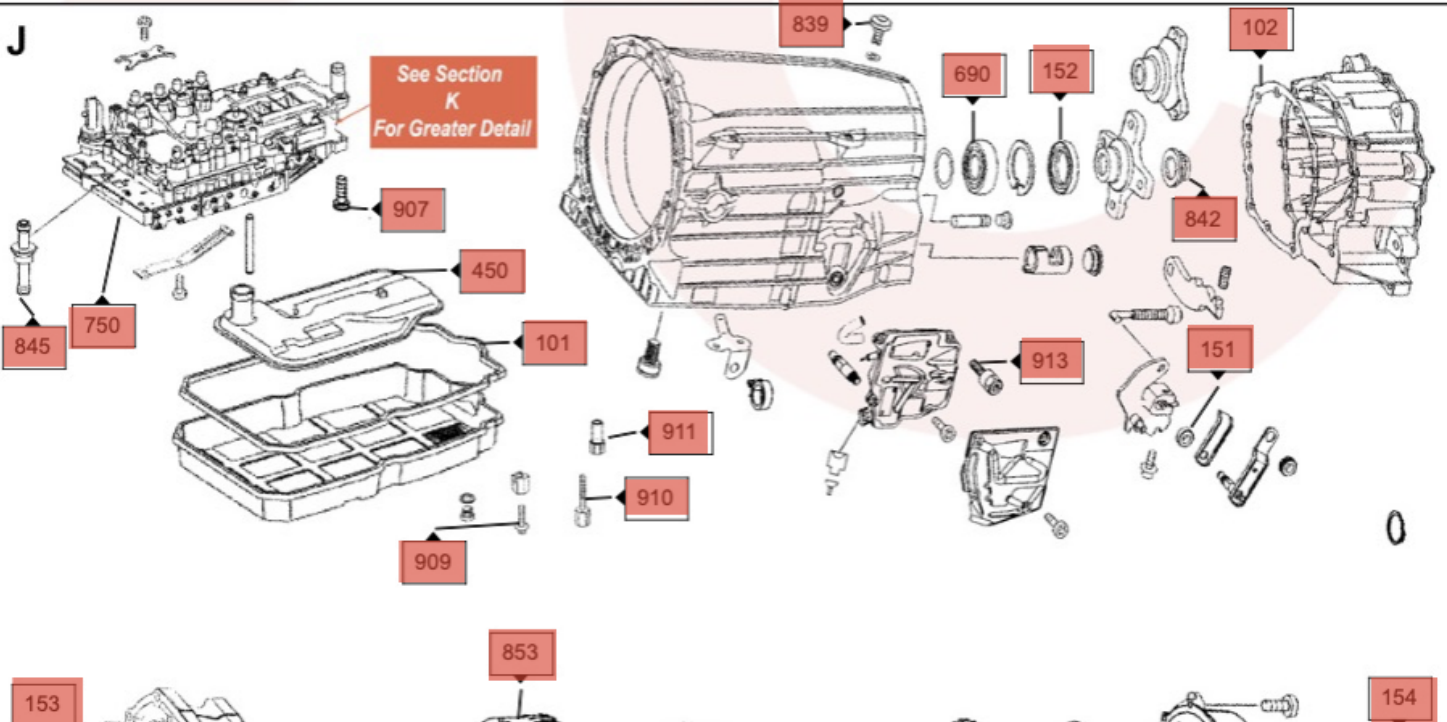
'K3' Clutch Assy

H



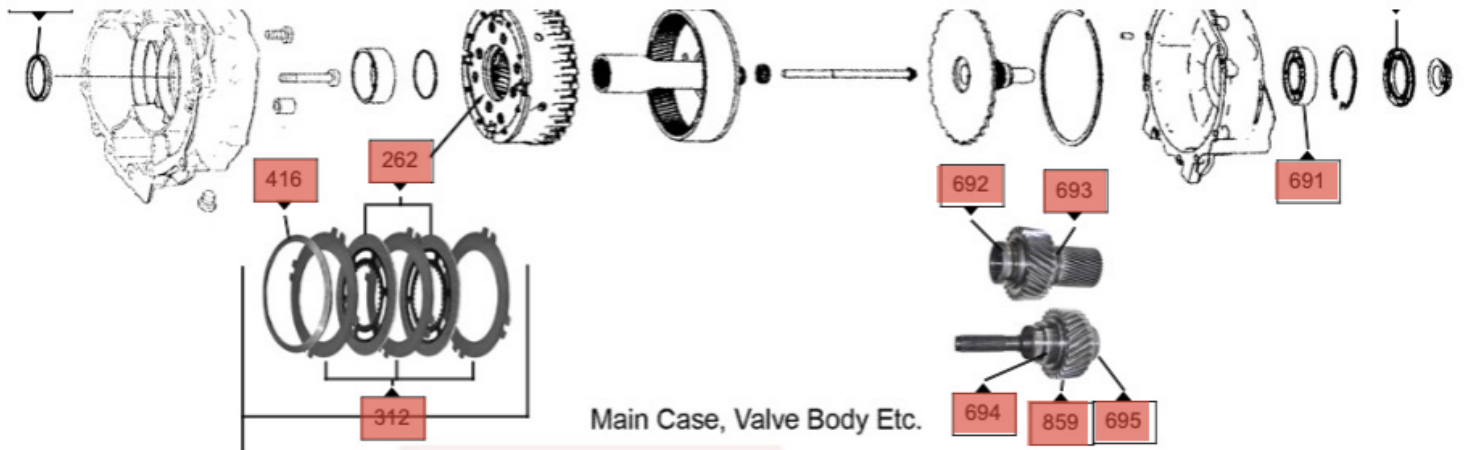
'BR' Brake & 'B2' Brake Assemblies

J



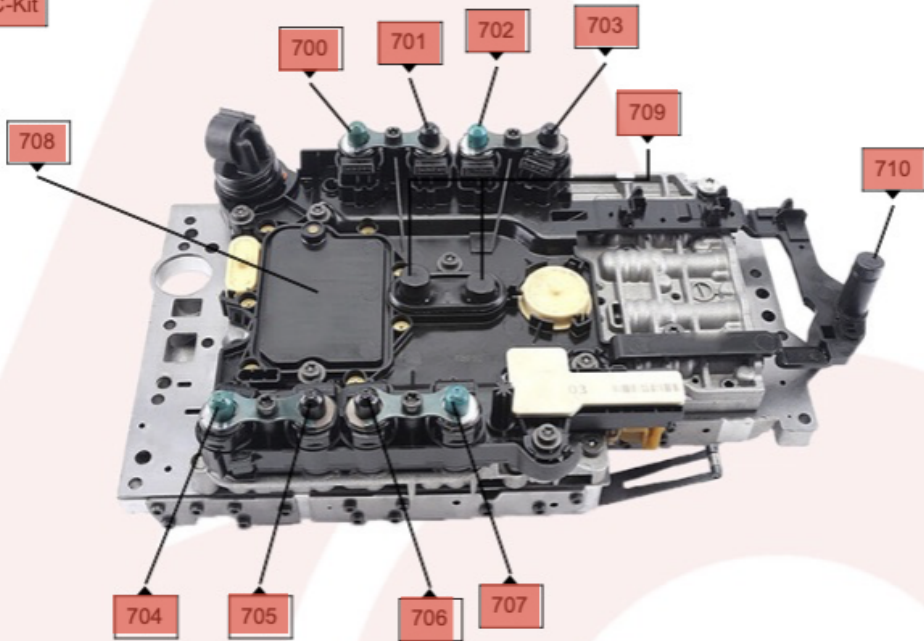
153

154



K

C-Kit



ACE